

### CHROMO



- Wall mounted
- Two heat/speed setting 600/1200 W
- Safety release button
- Safety screws
- Integrated overheating protection
- Double insulated (Class II)
- 220-240 V, 50/60 Hz



▶ Hard wire application:

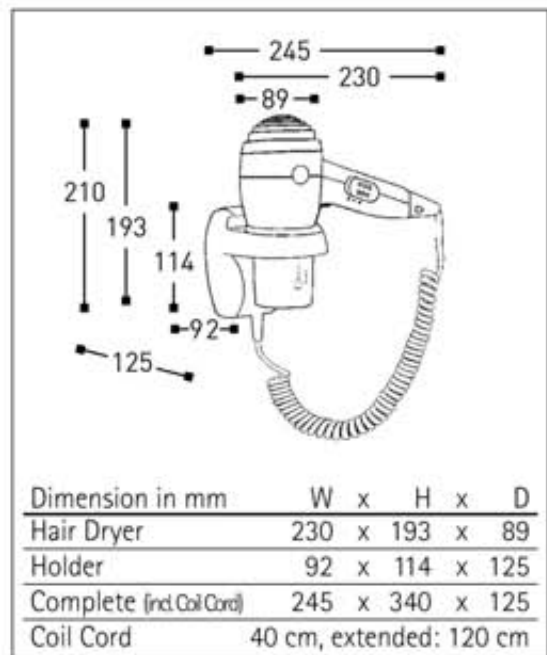
Code	Colour	Heat / Speed Settings
010407	chrome/black	600/1200 W

▶ With additional cord and plug for plug-in application:

Code	Colour	Heat / Speed Settings
010408	chrome/black	600/1200 W

Cleaning Instructions - Hair Dryer:

- Disconnect the hand dryer from the power supply.
- Wipe the case of the hairdryer with a damp (NOT wet) cloth.
- Polish with a dry cotton cloth.



### CHROMO



- Wall mounted brass holder
- Two heat/speed setting 600/1200 W
- Safety release button
- Safety screws
- Integrated overheating protection
- Double insulated (Class II)
- 220-240 V, 50/60 Hz

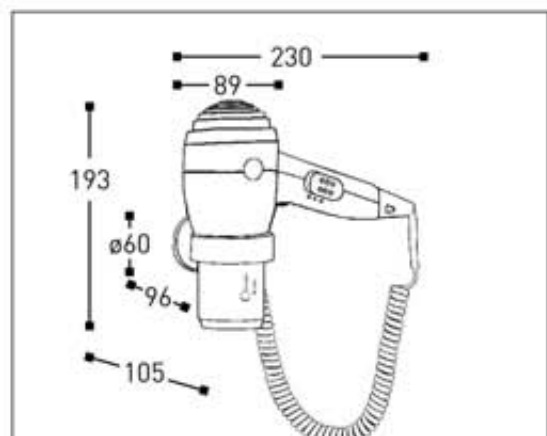


- ▶ With plug, for plug-in application:

Code	Colour	Heat / Speed Settings
010330	chrome/black	600/1200 W

#### Cleaning Instructions - Hair Dryer:

- Disconnect the hand dryer from the power supply.
- Wipe the case of the hairdryer with a damp (NOT wet) cloth.
- Polish with a dry cotton cloth.



Dimension in mm	W	x	H	x	D
Hair Dryer	230	x	193	x	89
Holder	60	x	60	x	105
Complete	230	x	193	x	105
Coil Cord	40 cm, extended: 120 cm				

### CHROMO



- Without holder
- Removable air nozzle
- Two heat/speed setting 600/1200 W
- Safety release button
- Safety screws
- Integrated overheating protection
- Double insulated (Class II)
- 220-240 V, 50/60 Hz



- ▶ With plug, for plug-in application:

Code	Colour	Heat / Speed Settings
010437	chrome/black	600/1200 W

#### Cleaning Instructions - Hair Dryer:

- Disconnect the hand dryer from the power supply.
- Wipe the case of the hairdryer with a damp (NOT wet) cloth.
- Polish with a dry cotton cloth.

