

### Aliseo KERAMIC



- With ceramic technology
- Three heat/speed settings, Cool-Low-High and master off position
- Additional cold shot button
- Ergonomically safety release button
- Wall holder with LED-lighted interrupter switch
- Safety screws
- Integrated overheating protection
- Double insulated (Class II)
- 220-250 V, 50/60 Hz



▶ Hard wire application:

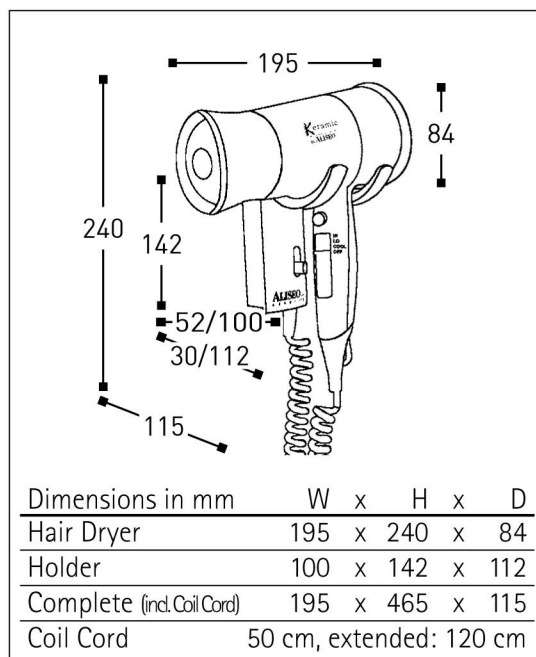
Code	Colour	Heat / Speed Settings
010384	silver/black	Cool/450/850 W

▶ With additional cord and plug for plug-in application:

Code	Colour	Heat / Speed Settings
010433	silver/black	Cool/450/850 W

Cleaning Instructions - Hair Dryer:

- Disconnect the hand dryer from the power supply.
- Wipe the case of the hairdryer with a damp (NOT wet) cloth.
- Polish with a dry cotton cloth.



### Aliseo IONIC



- With ionic technology
- Three heat/speed settings, Cool-Low-High and master off position
- Additional cold shot button
- Ergonomically safety release button
- Safety screws
- Integrated overheating protection
- Double insulated (Class II)
- 220-250 V, 50/60 Hz

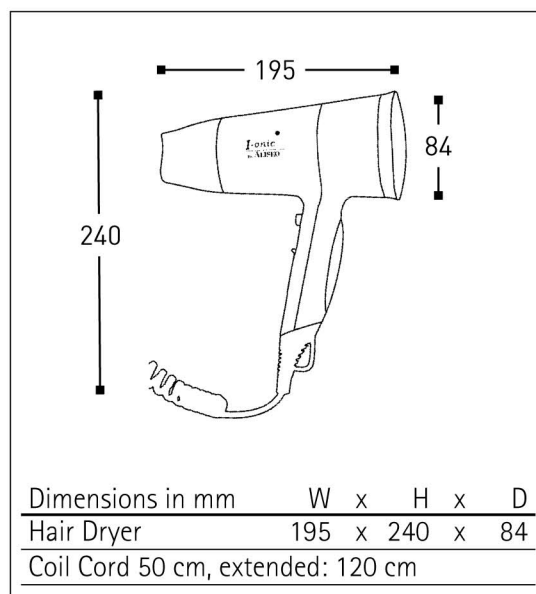


► With coil cord and plug for plug-in application:

Code	Colour	Heat / Speed Settings
010381	silver/black	Cool/800/1600 W

#### Cleaning Instructions - Hair Dryer:

- Disconnect the hand dryer from the power supply.
- Wipe the case of the hairdryer with a damp (NOT wet) cloth.
- Polish with a dry cotton cloth.



### Aliseo IONIC



- With ionic technology
- Three heat/speed settings, Cool-Low-High and master off position
- Additional cold shot button
- Ergonomically safety release button
- Wall holder with LED-lighted interrupter switch
- Safety screws
- Integrated overheating protection
- Double insulated (Class II)
- 220-250 V, 50/60 Hz



▶ Hard wire application:

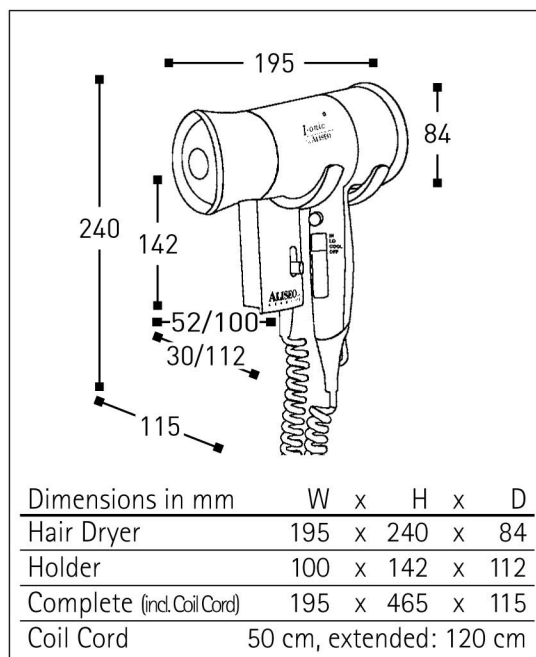
Code	Colour	Heat / Speed Settings
010385	silver/black	Cool/800/1600 W

▶ With additional cord and plug for plug-in application:

Code	Colour	Heat / Speed Settings
010434	silver/black	Cool/800/1600 W

Cleaning Instructions - Hair Dryer:

- Disconnect the hand dryer from the power supply.
- Wipe the case of the hairdryer with a damp (NOT wet) cloth.
- Polish with a dry cotton cloth.



### Aliseo KERAMIC



- With ceramic technology
- Three heat/speed settings, Cool-Low-High and master off position
- Additional cold shot button
- Ergonomically safety release button
- Safety screws
- Integrated overheating protection
- Double insulated (Class II)
- 220-250 V, 50/60 Hz



- ▶ With coil cord and plug for plug-in application:

Code	Colour	Heat / Speed Settings
010380	silver/black	Cool/450/850 W

#### Cleaning Instructions - Hair Dryer:

- Disconnect the hand dryer from the power supply.
- Wipe the case of the hairdryer with a damp (NOT wet) cloth.
- Polish with a dry cotton cloth.

