

PHOENIX – B



- For wall mounting
- Two heat/speed settings 600/1200 W
- Ergonomical safety release button
- Safety screws
- Integrated overheating and circuit protection
- Double insulated (Class II)
- 220-250 V or 110 V, 50/60 Hz



- ▶ Hard wire application:

| Code | Colour | Heat / Speed Settings |
|--------|--------------|-----------------------|
| 010213 | white/grey | 600/1200 W |
| 010215 | silver/black | 600/1200 W |
| 010306 | chrome/black | 600/1200 W |

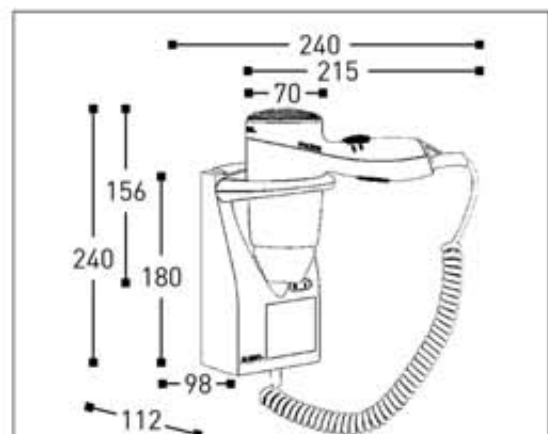
- ▶ With additional cord and plug for plug-in application:

| Code | Colour | Heat / Speed Settings |
|--------|--------------|-----------------------|
| 010217 | white/grey | 600/1200 W |
| 010219 | silver/black | 600/1200 W |
| 010323 | chrome/black | 600/1200 W |

- ▶ 110 V version upon request

Cleaning Instructions – Hair Dryer:

- Disconnect the hand dryer from the power supply.
- Wipe the case of the hairdryer with a damp (NOT wet) cloth.
- Polish with a dry cotton cloth.



| Dimensions in mm | W | x | H | x | D |
|----------------------------|-------------------------|---|-----|---|-----|
| Hair Dryer | 215 | x | 156 | x | 70 |
| Holder | 98 | x | 180 | x | 112 |
| Complete (incl. Coil Cord) | 240 | x | 345 | x | 112 |
| Coil Cord | 40 cm, extended: 120 cm | | | | |

PHOENIX



- Without wall holder
- Two heat/speed settings 600/1200 W
- Ergonomical safety release button
- Safety screws
- Integrated overheating protection
- Double insulated (Class II)
- 220-250 V or 110 V, 50/60 Hz



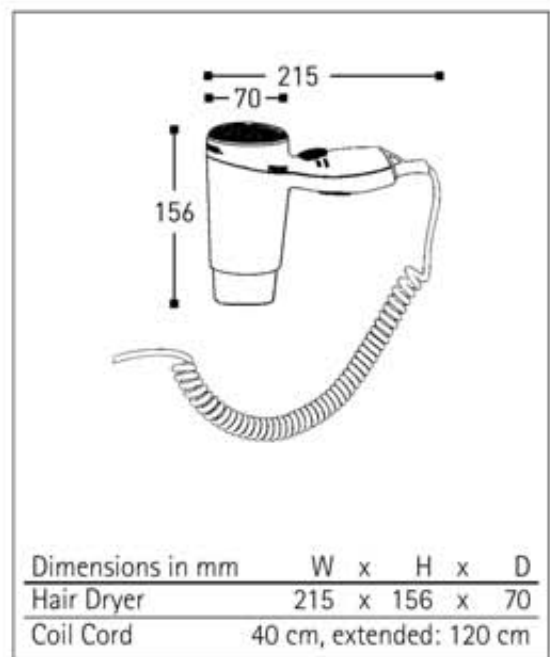
- ▶ With plug, for plug-in application:

| Code | Colour | Heat / Speed Settings |
|--------|--------------|-----------------------|
| 010235 | white/grey | 600/1200 W |
| 010241 | silver/black | 600/1200 W |
| 010332 | chrome/black | 600/1200 W |

- ▶ 110 V version upon request

Cleaning Instructions - Hair Dryer:

- Disconnect the hand dryer from the power supply.
- Wipe the case of the hairdryer with a damp (NOT wet) cloth.
- Polish with a dry cotton cloth.



| Dimensions in mm | W | x | H | x | D |
|------------------|-------------------------|---|-----|---|----|
| Hair Dryer | 215 | x | 156 | x | 70 |
| Coil Cord | 40 cm, extended: 120 cm | | | | |

PHOENIX - E



- Wall mounted ring
- Two heat/speed settings 600/1200 W
- Ergonomical safety release button
- Safety screws
- Integrated overheating protection
- Double insulated (Class II)
- 220-250 V or 110 V, 50/60 Hz



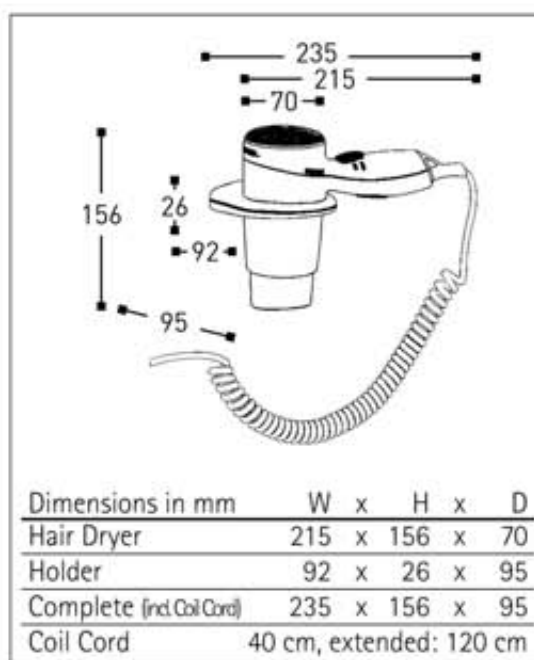
- ▶ With plug, for plug-in application:

| Code | Colour | Heat / Speed Settings |
|--------|--------------|-----------------------|
| 010207 | white/grey | 600/1200 W |
| 010210 | silver/black | 600/1200 W |
| 010321 | chrome/black | 600/1200 W |

- ▶ 110 V version upon request

Cleaning Instructions - Hair Dryer:

- Disconnect the hand dryer from the power supply.
- Wipe the case of the hairdryer with a damp (NOT wet) cloth.
- Polish with a dry cotton cloth.



PHOENIX – M



- For drawer mounting
- Two heat/speed settings 600/1200 W
- Ergonomical safety release button
- Safety screws
- Integrated overheating and circuit protection
- Double insulated (Class II)
- 220-250 V or 110 V, 50 Hz



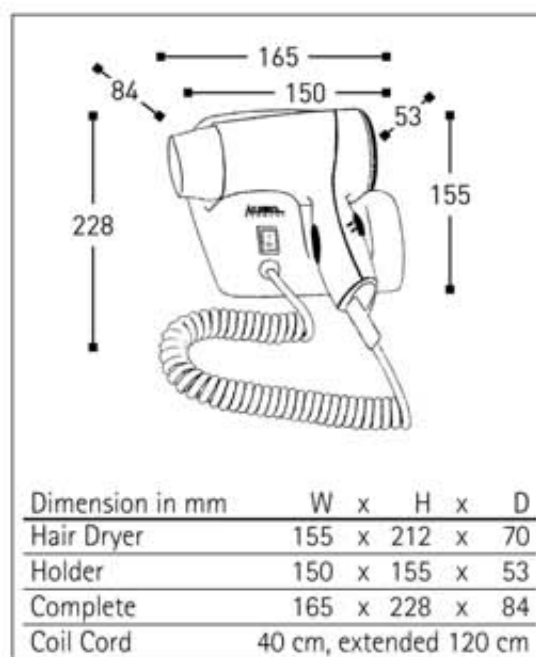
- ▶ Hard wire application:

| Code | Colour | Heat / Speed Settings |
|--------|--------------|-----------------------|
| 010276 | white/grey | 600/1200 W |
| 010447 | silver/black | 600/1200 W |
| 010449 | chrome/black | 600/1200 W |

- ▶ 110 V version upon request

Cleaning Instructions – Hair Dryer:

- Disconnect the hand dryer from the power supply.
- Wipe the case of the hairdryer with a damp (NOT wet) cloth.
- Polish with a dry cotton cloth.



PHOENIX - NL



- For wall mounting
- Integrated security night light, 1,5 W
- Two heat/speed settings 600/1200 W
- Ergonomical safety release button
- Safety screws
- Integrated overheating and circuit protection
- Double insulated (Class II)
- 220-250 V or 110 V, 50/60 Hz



- ▶ Hard wire application:

| Code | Colour | Heat / Speed Settings |
|--------|--------------|-----------------------|
| 010295 | white/grey | 600/1200 W |
| 010297 | silver/black | 600/1200 W |
| 010318 | chrome/black | 600/1200 W |

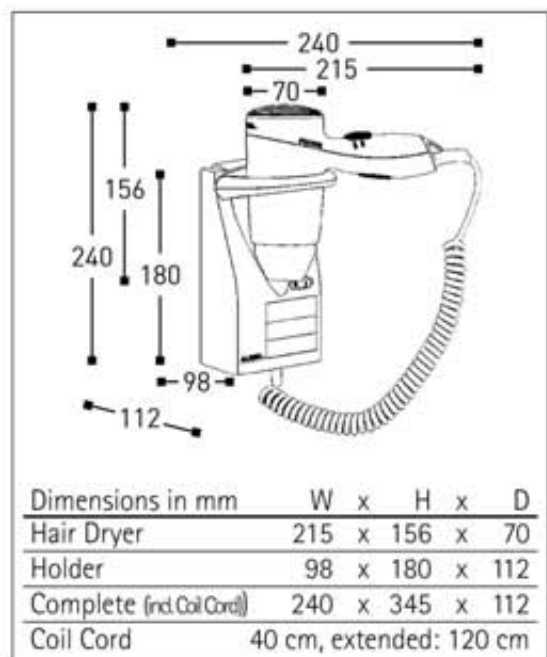
- ▶ With additional cord and plug for plug-in application:

| Code | Colour | Heat / Speed Settings |
|--------|--------------|-----------------------|
| 010301 | white/grey | 600/1200 W |
| 010303 | silver/black | 600/1200 W |
| 010324 | chrome/black | 600/1200 W |

- ▶ 110 V version upon request

Cleaning Instructions - Hair Dryer:

- Disconnect the hand dryer from the power supply.
- Wipe the case of the hairdryer with a damp (NOT wet) cloth.
- Polish with a dry cotton cloth.



PHOENIX - R



- For wall mounting
- Integrated shaver socket with isolating transformer, interchangeable 110/220 V, max. 20 VA
- Two heat/speed settings 600/1200 W
- Ergonomical safety release button
- Safety screws
- Integrated overheating and circuit protection
- Double insulated (Class II)
- 220-250 V or 110 V, 50/60 Hz



- ▶ Hard wire application:

| Code | Colour | Heat / Speed Settings |
|--------|--------------|-----------------------|
| 010225 | white/grey | 600/1200 W |
| 010227 | silver/black | 600/1200 W |
| 010308 | chrome/black | 600/1200 W |

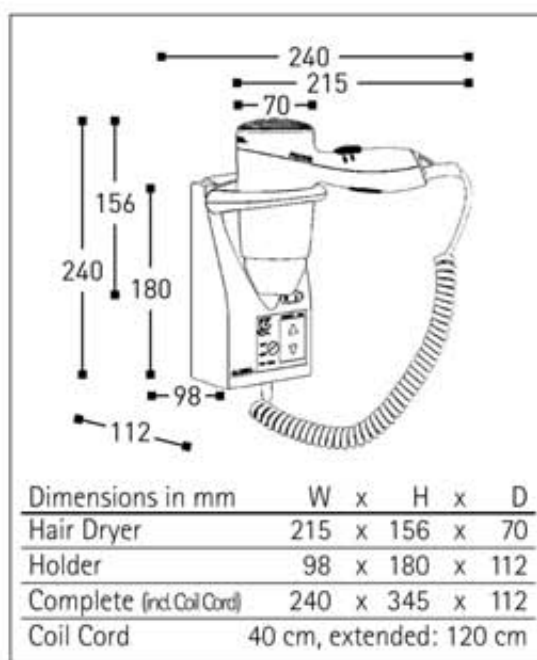
- ▶ With additional cord and plug for plug-in application:

| Code | Colour | Heat / Speed Settings |
|--------|--------------|-----------------------|
| 010229 | white/grey | 600/1200 W |
| 010231 | silver/black | 600/1200 W |
| 010325 | chrome/black | 600/1200 W |

- ▶ 110 V version upon request

Cleaning Instructions - Hair Dryer:

- Disconnect the hand dryer from the power supply.
- Wipe the case of the hairdryer with a damp (NOT wet) cloth.
- Polish with a dry cotton cloth.



PHOENIX - S



- For wall mounting
- Integrated schuko socket (220-250 V / 16 A / 3600 W)
- Two heat/speed settings 600/1200 W
- Ergonomical safety release button
- Safety screws
- Integrated overheating and circuit protection
- Double insulated (Class II)
- 220-250 V or 110 V, 50/60 Hz



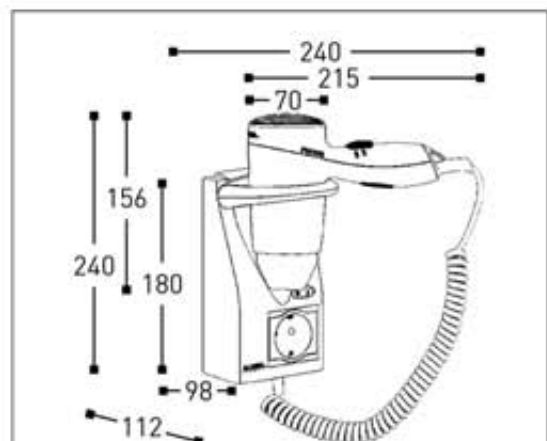
► Hard wire application:

| Code | Colour | Heat / Speed Settings |
|--------|--------------|-----------------------|
| 010221 | white/grey | 600/1200 W |
| 010223 | silver/black | 600/1200 W |
| 010307 | chrome/black | 600/1200 W |

► 110 V version upon request

Cleaning Instructions - Hair Dryer:

- Disconnect the hand dryer from the power supply.
- Wipe the case of the hairdryer with a damp (NOT wet) cloth.
- Polish with a dry cotton cloth.



| Dimensions in mm | W | x | H | x | D |
|----------------------------|-------------------------|---|-----|---|-----|
| Hair Dryer | 215 | x | 156 | x | 70 |
| Holder | 98 | x | 180 | x | 112 |
| Complete (incl. Coil Cord) | 240 | x | 345 | x | 112 |
| Coil Cord | 40 cm, extended: 120 cm | | | | |