

PRO TEC - R



- For wall mounting
- Integrated shaver socket 220/230 V (1,5 A)
- Two heat/speed settings 600/1200 W
- Ergonomical safety release button
- Safety screws
- Integrated overheating and circuit protection
- Double insulated (Class II)
- 220-250 V or 110 V, 50/60 Hz



▶ Hard wire application:

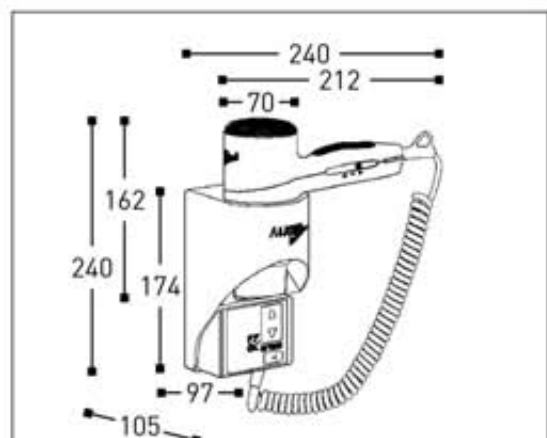
Code	Colour	Heat / Speed Settings
010185	white/grey	600/1200 W

▶ With additional cord and plug for plug-in application:

Code	Colour	Heat / Speed Settings
010198	white/grey	600/1200 W

Cleaning Instructions - Hair Dryer:

- Disconnect the hand dryer from the power supply.
- Wipe the case of the hairdryer with a damp (NOT wet) cloth.
- Polish with a dry cotton cloth.



Dimensions in mm	W	x	H	x	D
Hair Dryer	212	x	162	x	70
Holder	97	x	174	x	105
Complete (incl. Coil Cord)	240	x	330	x	105
Coil Cord	40 cm, extended: 120 cm				

Hotel Hair Dryers

PRO - R



- For wall mounting
- Integrated shaver socket 220/230 V (1,5 A)
- One heat/speed setting 1200 W
- Ergonomical safety release button
- Safety screws
- Integrated overheating and circuit protection
- Double insulated (Class II)
- 220-250 V or 110 V, 50/60 Hz



▶ Hard wire application:

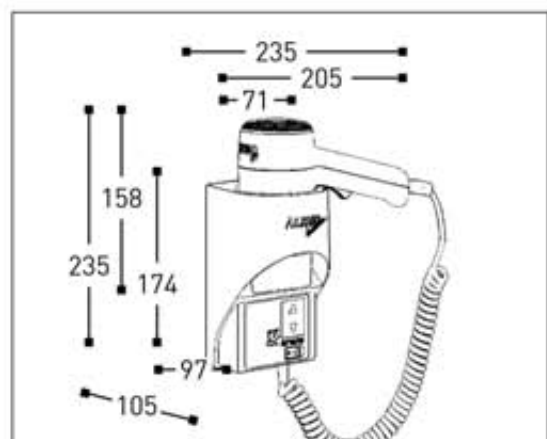
Code	Colour	Heat / Speed Settings
010012	white/black	1200 W

▶ With additional cord and plug for plug-in application:

Code	Colour	Heat / Speed Settings
010028	white/black	1200 W

Cleaning Instructions - Hair Dryer:

- Disconnect the hand dryer from the power supply.
- Wipe the case of the hairdryer with a damp (NOT wet) cloth.
- Polish with a dry cotton cloth.



Dimensions in mm	W	x	H	x	D
Hair Dryer	205	x	158	x	71
Holder	97	x	174	x	105
Complete (incl. Coil Cord)	235	x	340	x	105
Coil Cord	40 cm, extended: 120 cm				

PRO TEC



- For wall mounting
- Two heat/speed settings 600/1200 W
- Ergonomical safety release button
- Safety screws
- Integrated overheating and circuit protection
- Double insulated (Class II)
- 220-250 V or 110 V, 50/60 Hz



▶ Hard wire application:

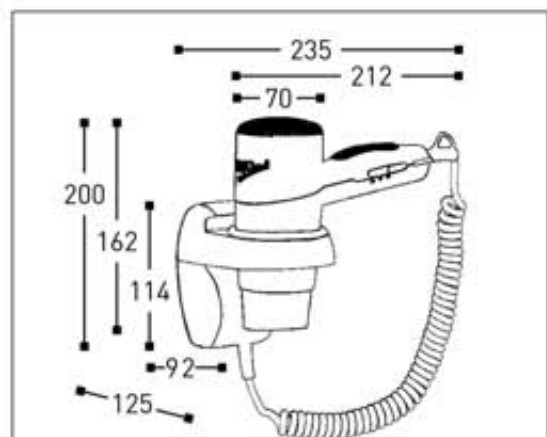
Code	Colour	Heat / Speed Settings
010184	white/grey	600/1200 W

▶ With additional cord and plug for plug-in application:

Code	Colour	Heat / Speed Settings
010188	white/grey	600/1200 W

Cleaning Instructions - Hair Dryer:

- Disconnect the hand dryer from the power supply.
- Wipe the case of the hairdryer with a damp (NOT wet) cloth.
- Polish with a dry cotton cloth.



Dimensions in mm	W	x	H	x	D
Hair Dryer	212	x	162	x	70
Holder	92	x	114	x	125
Complete (incl. Coil Cord)	235	x	320	x	125
Coil Cord	40 cm, extended 120 cm				

Hotel Hair Dryers

PRO



- For wall mounting
- With 2 different hair dryers available:
 - One heat/speed setting 1200 W
 - One heat/speed setting 1500 W
- Ergonomical safety release button
- Safety screws
- Integrated overheating and circuit protection
- Double insulated (Class II)
- 220-250 V or 110 V, 50/60 Hz



▶ Hard wire application:

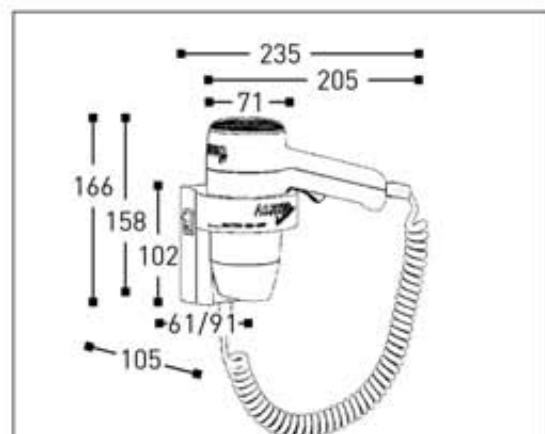
Code	Colour	Heat / Speed Settings
010001	white/black	1200 W
010298	white/black	1500 W

▶ With additional cord and plug for plug-in application:

Code	Colour	Heat / Speed Settings
010021	white/black	1200 W
010299	white/black	1500 W

Cleaning Instructions - Hair Dryer:

- Disconnect the hand dryer from the power supply.
- Wipe the case of the hairdryer with a damp (NOT wet) cloth.
- Polish with a dry cotton cloth.



Dimensions in mm	W	x	H	x	D
Hair Dryer	205	x	158	x	71
Holder	91	x	102	x	105
Complete (incl. Coil Cord)	235	x	340	x	105
Coil Cord	40 cm, extended: 120 cm				