

PHOENIX – M



- For drawer mounting
- Two heat/speed settings 600/1200 W
- Ergonomical safety release button
- Safety screws
- Integrated overheating and circuit protection
- Double insulated (Class II)
- 220-250 V or 110 V, 50 Hz



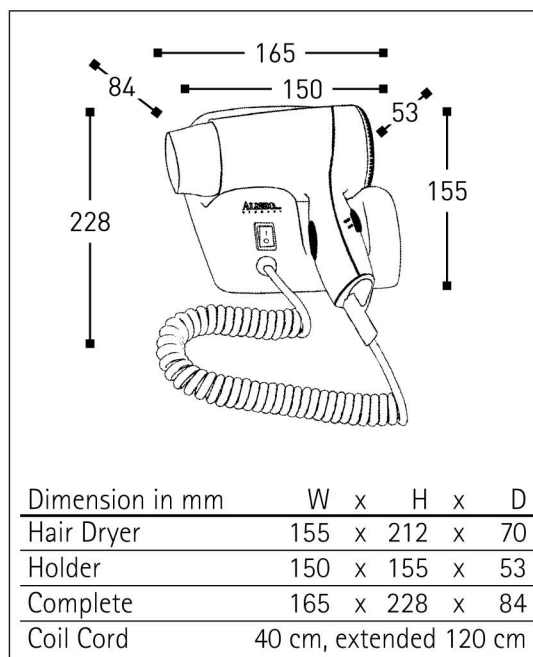
- ▶ Hard wire application:

Code	Colour	Heat / Speed Settings
010276	white/grey	600/1200 W
010447	silver/black	600/1200 W
010449	chrome/black	600/1200 W

- ▶ 110 V version upon request

Cleaning Instructions - Hair Dryer:

- Disconnect the hand dryer from the power supply.
- Wipe the case of the hairdryer with a damp (NOT wet) cloth.
- Polish with a dry cotton cloth.



Aliseo KERAMIC



- With ceramic technology
- Three heat/speed settings, Cool-Low-High and master off position
- Additional cold shot button
- Ergonomically safety release button
- Safety screws
- Integrated overheating protection
- Double insulated (Class II)
- 220-250 V, 50/60 Hz



- ▶ With coil cord and plug for plug-in application:

Code	Colour	Heat / Speed Settings
010380	silver/black	Cool/450/850 W

Cleaning Instructions - Hair Dryer:

- Disconnect the hand dryer from the power supply.
- Wipe the case of the hairdryer with a damp (NOT wet) cloth.
- Polish with a dry cotton cloth.

