

LED SPACE-SAVER

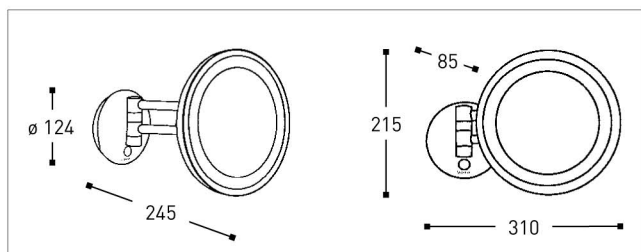


- LED - Technology
- Flat screen design
- Maintenance free - 50.000 h lifespan
- Energy saving
- Single arm
- 3 x magnification
- Full pivotal adjustments
- Class I
- 120-240 V



► Hard wire application:

Code	Version	
020685	chrome	ø 215 mm



Cleaning Instructions - Magnifying Mirrors:

- Mirror Lens
Wipe down with a light solution of soap suds. Do NOT use sponges or cloths that may damage the surface. Wipe with a damp cloth. Polish with a dry soft cotton cloth.
- Chrome Trim & Arms
Do NOT use any cleaners containing acids, ammonia or abrasives. The use of such products even in a diluted form may damage the finish.

LED SPACE-SAVER



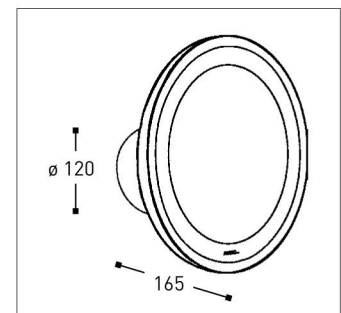
- Wall mount
- LED - lighting
- Maintenance free - 50.000 hours lifespan
- Ultra-thin profile
- 3 x magnification
- Full pivotal adjustment
- Class I
- 230 V



▶ Hard wire application:

Code	Version	
020660	chrome	ø 240 mm

- ▶ Also available with cord and plug for plug-in application
- ▶ 110 V upon request



Cleaning Instructions - Magnifying Mirrors:

- Mirror Lens
Wipe down with a light solution of soap suds. Do NOT use sponges or cloths that may damage the surface. Wipe with a damp cloth. Polish with a dry soft cotton cloth.
- Chrome Trim & Arms
Do NOT use any cleaners containing acids, ammonia or abrasives. The use of such products even in a diluted form may damage the finish.