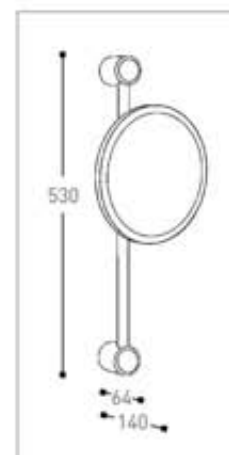


## CONCIERGE COLLECTION



- Wall bar 'Saba'
- 3x magnification
- Full pivotal adjustment
- Covered backplate
- Mirror: ABS-plastic



Code	Version	
020011	chrome	ø 190 mm
020012	chrome	ø 220 mm

### Cleaning Instructions - Magnifying Mirrors:

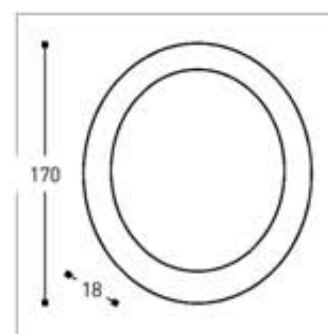
- **Mirror Lens**  
Wipe down with a light solution of soap suds. Do NOT use sponges or cloths that may damage the surface. Wipe with a damp cloth. Polish with a dry soft cotton cloth.
- **Chrome Trim & Arms**  
Do NOT use any cleaners containing acids, ammonia or abrasives. The use of such products even in a diluted form may damage the finish.

## CONCIERGE COLLECTION



- Adhesive
- 3x magnification
- Plastic frame

Code	Version	
020001	clear	ø 170 mm



### Cleaning Instructions - Magnifying Mirrors:

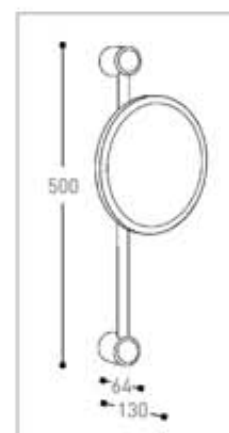
- **Mirror Lens**  
Wipe down with a light solution of soap suds. Do NOT use sponges or cloths that may damage the surface. Wipe with a damp cloth. Polish with a dry soft cotton cloth.
- **Chrome Trim & Arms**  
Do NOT use any cleaners containing acids, ammonia or abrasives. The use of such products even in a diluted form may damage the finish.

## CONCIERGE COLLECTION



- Wall bar 'Seatra'
- 3x magnification
- Full pivotal adjustment
- Covered backplate

Code	Version	
020047	chrome	ø 230 mm



### Cleaning Instructions - Magnifying Mirrors:

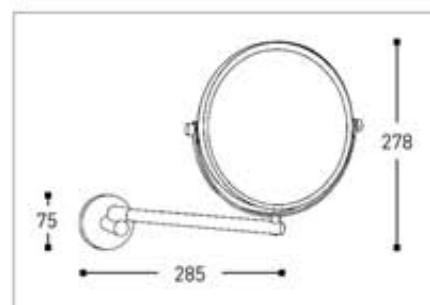
- **Mirror Lens**  
Wipe down with a light solution of soap suds. Do NOT use sponges or cloths that may damage the surface. Wipe with a damp cloth. Polish with a dry soft cotton cloth.
- **Chrome Trim & Arms**  
Do NOT use any cleaners containing acids, ammonia or abrasives. The use of such products even in a diluted form may damage the finish.

## CONCIERGE COLLECTION



- Single arm
- 2 mirrors: plain and 3x magnification
- Covered backplate

Code	Version	
020486	chrome	ø 200 mm



### Cleaning Instructions - Magnifying Mirrors:

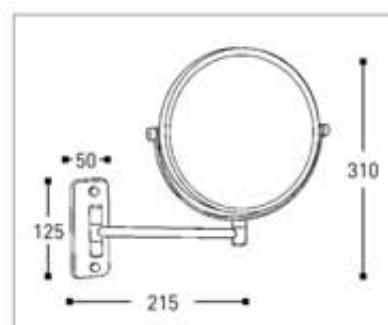
- **Mirror Lens**  
Wipe down with a light solution of soap suds. Do NOT use sponges or cloths that may damage the surface. Wipe with a damp cloth. Polish with a dry soft cotton cloth.
- **Chrome Trim & Arms**  
Do NOT use any cleaners containing acids, ammonia or abrasives. The use of such products even in a diluted form may damage the finish.

## CONCIERGE COLLECTION



- Single arm
- 2 mirrors: plain and 3x magnification
- Covered screws

Code	Version	
020490	chrome	ø 200 mm



### Cleaning Instructions - Magnifying Mirrors:

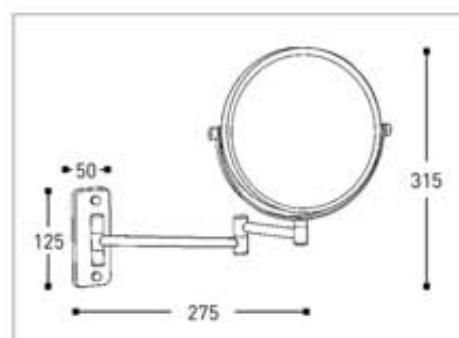
- **Mirror Lens**  
Wipe down with a light solution of soap suds. Do NOT use sponges or cloths that may damage the surface. Wipe with a damp cloth. Polish with a dry soft cotton cloth.
- **Chrome Trim & Arms**  
Do NOT use any cleaners containing acids, ammonia or abrasives. The use of such products even in a diluted form may damage the finish.

## CONCIERGE COLLECTION



- Shortened twin arm
- 2 mirrors: plain and 3x magnification
- Covered screws

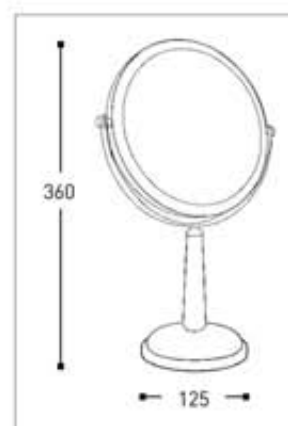
Code	Version	
020491	chrome	ø 200 mm



### Cleaning Instructions - Magnifying Mirrors:

- **Mirror Lens**  
Wipe down with a light solution of soap suds. Do NOT use sponges or cloths that may damage the surface. Wipe with a damp cloth. Polish with a dry soft cotton cloth.
- **Chrome Trim & Arms**  
Do NOT use any cleaners containing acids, ammonia or abrasives. The use of such products even in a diluted form may damage the finish.

## CONCIERGE COLLECTION



- Free standing
- 2 mirrors: plain and 3x magnification

Code	Version	
020499	chrome	ø 200 mm

### Cleaning Instructions - Magnifying Mirrors:

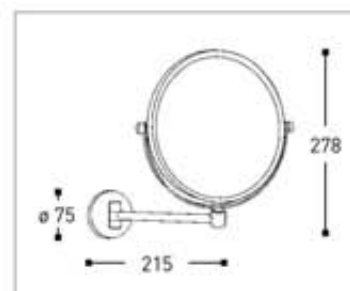
- **Mirror Lens**  
Wipe down with a light solution of soap suds. Do NOT use sponges or cloths that may damage the surface. Wipe with a damp cloth. Polish with a dry soft cotton cloth.
- **Chrome Trim & Arms**  
Do NOT use any cleaners containing acids, ammonia or abrasives. The use of such products even in a diluted form may damage the finish.

## CONCIERGE COLLECTION



- Single arm
- 2 mirrors: plain and 3x magnification
- Covered backplate

Code	Version	
020506	chrome	ø 200 mm



### Cleaning Instructions - Magnifying Mirrors:

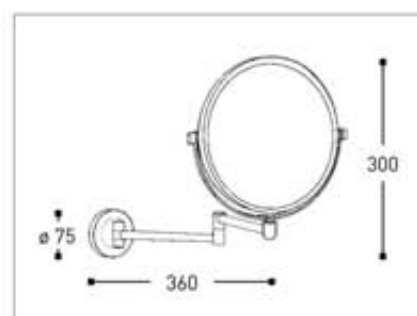
- **Mirror Lens**  
Wipe down with a light solution of soap suds. Do NOT use sponges or cloths that may damage the surface. Wipe with a damp cloth. Polish with a dry soft cotton cloth.
- **Chrome Trim & Arms**  
Do NOT use any cleaners containing acids, ammonia or abrasives. The use of such products even in a diluted form may damage the finish.

## CONCIERGE COLLECTION



- Twin arm
- 2 mirrors: plain and 3x magnification
- Covered backplate

Code	Version	
020507	chrome	ø 200 mm



### Cleaning Instructions - Magnifying Mirrors:

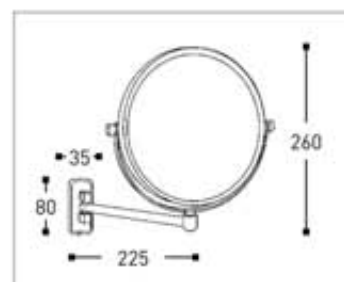
- **Mirror Lens**  
Wipe down with a light solution of soap suds. Do NOT use sponges or cloths that may damage the surface. Wipe with a damp cloth. Polish with a dry soft cotton cloth.
- **Chrome Trim & Arms**  
Do NOT use any cleaners containing acids, ammonia or abrasives. The use of such products even in a diluted form may damage the finish.

## CONCIERGE COLLECTION



- Single arm
- 2 mirrors: plain and 3x magnification
- Covered backplate

Code	Version	
020569	chrome	ø 200 mm



### Cleaning Instructions - Magnifying Mirrors:

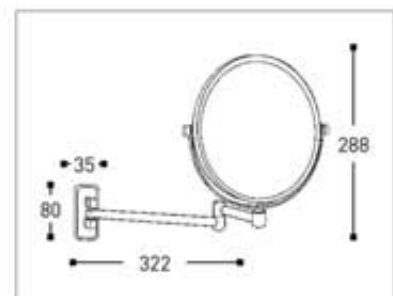
- **Mirror Lens**  
Wipe down with a light solution of soap suds. Do NOT use sponges or cloths that may damage the surface. Wipe with a damp cloth. Polish with a dry soft cotton cloth.
- **Chrome Trim & Arms**  
Do NOT use any cleaners containing acids, ammonia or abrasives. The use of such products even in a diluted form may damage the finish.

## CONCIERGE COLLECTION



- Shortened twin arm
- 2 mirrors: plain and 3x magnification
- Covered backplate

Code	Version	
020570	chrome	ø 200 mm



### Cleaning Instructions - Magnifying Mirrors:

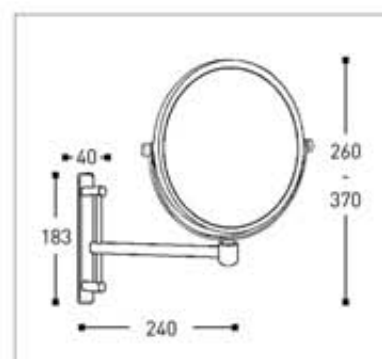
- **Mirror Lens**  
Wipe down with a light solution of soap suds. Do NOT use sponges or cloths that may damage the surface. Wipe with a damp cloth. Polish with a dry soft cotton cloth.
- **Chrome Trim & Arms**  
Do NOT use any cleaners containing acids, ammonia or abrasives. The use of such products even in a diluted form may damage the finish.

### CONCIERGE COLLECTION



- Single arm
- 2 mirrors: plain and 3x magnification
- Height adjustable
- Covered backplate

Code	Version	
020597	chrome	ø 200 mm



#### Cleaning Instructions - Magnifying Mirrors:

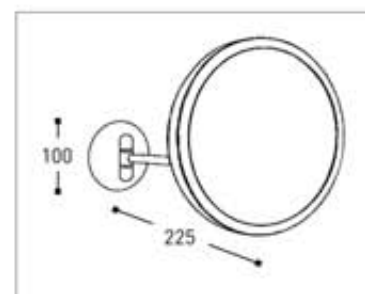
- **Mirror Lens**  
Wipe down with a light solution of soap suds. Do NOT use sponges or cloths that may damage the surface. Wipe with a damp cloth. Polish with a dry soft cotton cloth.
- **Chrome Trim & Arms**  
Do NOT use any cleaners containing acids, ammonia or abrasives. The use of such products even in a diluted form may damage the finish.

## CONCIERGE COLLECTION LUNA



- Single arm
- 3x magnification
- Full pivotal adjustment
- Covered backplate

Code	Version	
020598	chrome	ø 240 mm



### Cleaning Instructions - Magnifying Mirrors:

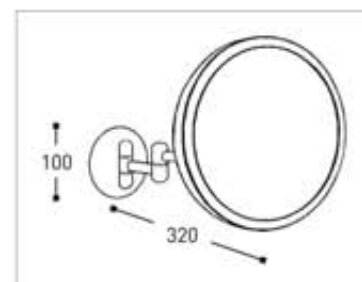
- **Mirror Lens**  
Wipe down with a light solution of soap suds. Do NOT use sponges or cloths that may damage the surface. Wipe with a damp cloth. Polish with a dry soft cotton cloth.
- **Chrome Trim & Arms**  
Do NOT use any cleaners containing acids, ammonia or abrasives. The use of such products even in a diluted form may damage the finish.

## CONCIERGE COLLECTION LUNA



- Twin arm
- 3x magnification
- Full pivotal adjustment
- Covered backplate

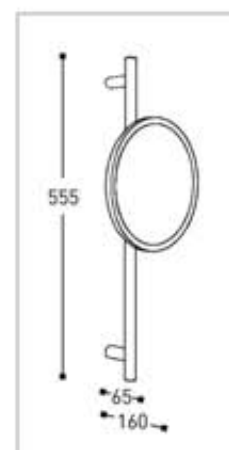
Code	Version	
020599	chrom	ø 240 mm



### Cleaning Instructions - Magnifying Mirrors:

- **Mirror Lens**  
Wipe down with a light solution of soap suds. Do NOT use sponges or cloths that may damage the surface. Wipe with a damp cloth. Polish with a dry soft cotton cloth.
- **Chrome Trim & Arms**  
Do NOT use any cleaners containing acids, ammonia or abrasives. The use of such products even in a diluted form may damage the finish.

### CONCIERGE COLLECTION



- Wall bar 'Slim'
- 3x magnification
- Full pivotal adjustment
- Covered backplate

Code	Version	
020614	chrome	ø 200 mm

#### Cleaning Instructions - Magnifying Mirrors:

- **Mirror Lens**  
Wipe down with a light solution of soap suds. Do NOT use sponges or cloths that may damage the surface. Wipe with a damp cloth. Polish with a dry soft cotton cloth.
- **Chrome Trim & Arms**  
Do NOT use any cleaners containing acids, ammonia or abrasives. The use of such products even in a diluted form may damage the finish.