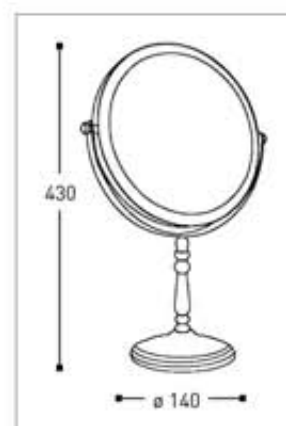


NOSTALGIE



- Free standing
- 2 mirrors: plain and 3x magnification

Code	Version	
020496	chrome	ø 250 mm

Cleaning Instructions - Magnifying Mirrors:

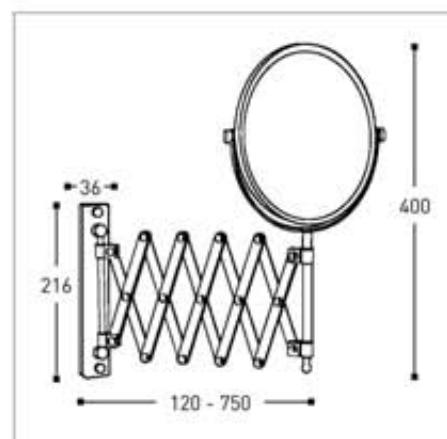
- **Mirror Lens**
Wipe down with a light solution of soap suds. Do NOT use sponges or cloths that may damage the surface. Wipe with a damp cloth. Polish with a dry soft cotton cloth.
- **Chrome Trim & Arms**
Do NOT use any cleaners containing acids, ammonia or abrasives. The use of such products even in a diluted form may damage the finish.

NOSTALGIE



- Twin scissor arm
- 2 mirrors: plain and 3x magnification
- Covered screws

Code	Version	
020458	chrome	ø 200 mm



Cleaning Instructions - Magnifying Mirrors:

- **Mirror Lens**
Wipe down with a light solution of soap suds. Do NOT use sponges or cloths that may damage the surface. Wipe with a damp cloth. Polish with a dry soft cotton cloth.
- **Chrome Trim & Arms**
Do NOT use any cleaners containing acids, ammonia or abrasives. The use of such products even in a diluted form may damage the finish.