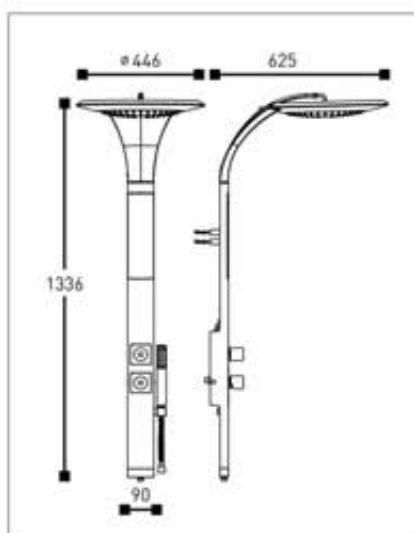


The GRIFAFFE



- Modern design
- Wall mounted shower station
- With hand shower and hose
- Plastic nozzles with Easy Clean System
- Material: polyurethane / brass

Code	Finish
120483	black/chrome
120484	white/chrome
120485	wengé/chrome

Cleaning Instructions - Bathroom-Accessories:

- Please clean the surface with mild soap and water to avoid damaging the finish.
- Rinse with water and dry with a soft cotton cloth.
- Do NOT use cleaners containing acids, ammonia or abrasives. Such products will damage the finish!



HERMES



- 3 jets:
Rain / Soft / Massage
- Soft plastic nozzles
- Easy clean system
- Material: ABS-plastic

Code	Finish
120403	chrome

MAYA



- 3 jets:
Rain / Soft / Massage
- Soft plastic nozzles
- Easy clean system
- Material: ABS-plastic

Code	Finish
120404	chrome

NOSTALGIE



- 1 jet: Rain
- Material: brass

Code	Finish
120068	chrome



- Security metal
- Agraff format
- 1/2" x 1/2", conical nut

Code	Finish	Length in cm
120123	chrome	150
120124	chrome	175

AGATHA



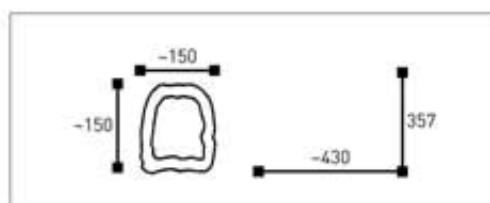
Quartz Cleansing System

Restores the natural balance of the body.

Water streams through natural quartz stones releasing mineral salts and high-energy vapours.

Preserves the skin, strengthens the immune system and increases concentration.

Art.-Nr. 120450



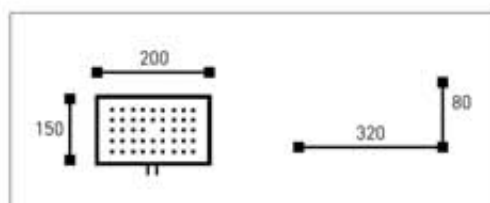
Cleaning Instructions - Bathroom-Accessories:

- Please clean the surface with mild soap and water to avoid damaging the finish.
- Rinse with water and dry with a soft cotton cloth.
- Do NOT use cleaners containing acids, ammonia or abrasives. Such products will damage the finish!

BABYLON



- Rectangular Design
- 44 plastic nozzles
- Easy clean system
- With shower arm
- Material: brass



Code	Finish
120469	chrome

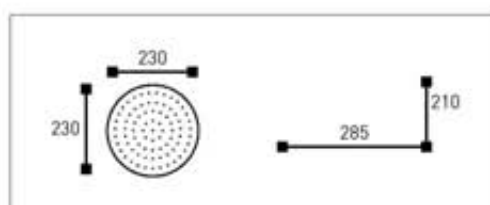
Cleaning Instructions - Bathroom-Accessories:

- Please clean the surface with mild soap and water to avoid damaging the finish.
- Rinse with water and dry with a soft cotton cloth.
- Do NOT use cleaners containing acids, ammonia or abrasives. Such products will damage the finish!

CHARLESTON



- Nostalgic round design
- 76 jets
- With shower arm
- Material: brass



Code	Finish
120088	chrome

Cleaning Instructions - Bathroom-Accessories:

- Please clean the surface with mild soap and water to avoid damaging the finish.
- Rinse with water and dry with a soft cotton cloth.
- Do NOT use cleaners containing acids, ammonia or abrasives. Such products will damage the finish!

COBRA HEAD

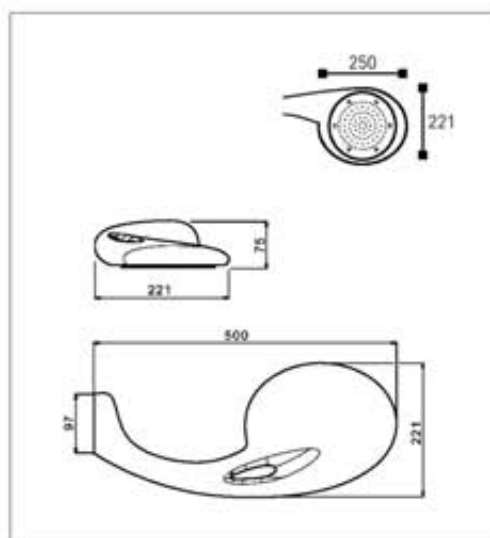


- Modern design
- 115 plastic nozzles
- Easy clean system
- Material: carbon / brass

Code	Finish
120480	black/chrome

Cleaning Instructions - Bathroom-Accessories:

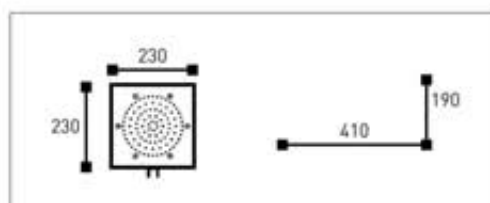
- Please clean the surface with mild soap and water to avoid damaging the finish.
- Rinse with water and dry with a soft cotton cloth.
- Do NOT use cleaners containing acids, ammonia or abrasives. Such products will damage the finish!



LUCENT-SQUARE



- Square design
- 96 plastic nozzles
- Easy clean system
- With shower arm, material: brass
- Material shower head: lucite



Code	Finish
120471	chrome

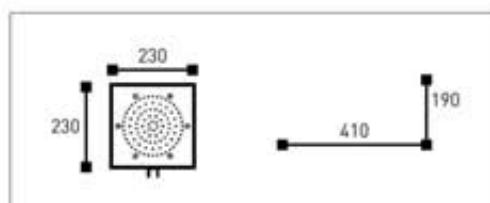
Cleaning Instructions - Bathroom-Accessories:

- Please clean the surface with mild soap and water to avoid damaging the finish.
- Rinse with water and dry with a soft cotton cloth.
- Do NOT use cleaners containing acids, ammonia or abrasives. Such products will damage the finish!

LUCENT-SQUARE



- Square design
- 96 plastic nozzles
- Easy clean system
- With shower arm, material: brass
- Material shower head: lucite



Code	Finish
120471	chrome

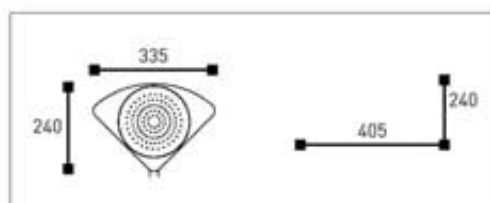
Cleaning Instructions - Bathroom-Accessories:

- Please clean the surface with mild soap and water to avoid damaging the finish.
- Rinse with water and dry with a soft cotton cloth.
- Do NOT use cleaners containing acids, ammonia or abrasives. Such products will damage the finish!

MIZZEN



- Triangular design
- 115 plastic nozzles
- Easy clean system
- With shower arm
- Material: brass



Code	Finish
120455	chrome

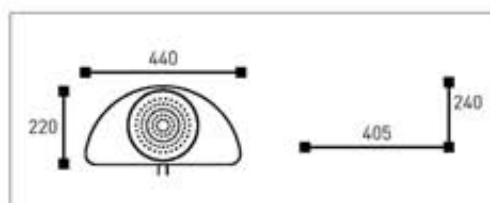
Cleaning Instructions - Bathroom-Accessories:

- Please clean the surface with mild soap and water to avoid damaging the finish.
- Rinse with water and dry with a soft cotton cloth.
- Do NOT use cleaners containing acids, ammonia or abrasives. Such products will damage the finish!

REGATTA



- Semicircular design
- 115 plastic nozzles
- Easy clean system
- With shower arm
- Material: brass



Code	Finish
120454	chrome

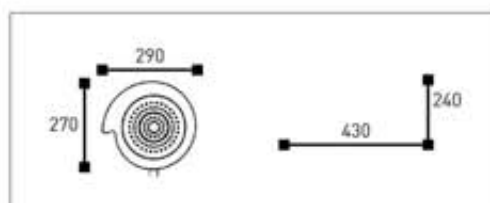
Cleaning Instructions - Bathroom-Accessories:

- Please clean the surface with mild soap and water to avoid damaging the finish.
- Rinse with water and dry with a soft cotton cloth.
- Do NOT use cleaners containing acids, ammonia or abrasives. Such products will damage the finish!

TRAPEZE



- Round design
- 115 plastic nozzles
- Easy clean system
- With shower arm
- Material: brass



Code	Finish
120456	chrome

Cleaning Instructions - Bathroom-Accessories:

- Please clean the surface with mild soap and water to avoid damaging the finish.
- Rinse with water and dry with a soft cotton cloth.
- Do NOT use cleaners containing acids, ammonia or abrasives. Such products will damage the finish!

CHARISMA



- With hand shower CHARISMA:
3 jets: Rain / Rain+Massage / Massage
Soft plastic nozzles
Easy clean system
Material: plastic
- Wall bar: height-adjustable, length 60 cm, ø 2,5 cm
Material: brass
- Shower hose: Length 150 cm, with double inter lock,
Material: brass

Code	Finish
120073	chrome

Cleaning Instructions

- Please clean the surface with mild soap and water to avoid damaging the finish.
- Rinse with water and dry with a soft cotton cloth.
- Do **NOT** use cleaners containing acids, ammonia or abrasives. Such products will damage the finish!

HERMES



- With hand shower HERMES:
3 jets: Rain / Soft / Massage
Soft plastic nozzles
Easy clean system
Material: ABS-plastic
- Wall bar: height-adjustable, length 84,5 cm, ø 2,5 cm
Material: brass
- Shower hose: Length 150 cm, with double inter lock,
Material: brass

Code	Finish
120406	chrome

Cleaning Instructions

- Please clean the surface with mild soap and water to avoid damaging the finish.
- Rinse with water and dry with a soft cotton cloth.
- Do **NOT** use cleaners containing acids, ammonia or abrasives. Such products will damage the finish!

INTEGRA



- With hand shower
1 jet: Rain
Soft plastic nozzles
Easy clean system
Material: ABS-plastic
- Wall bar: height-adjustable, length 70 cm
Material: brass
- Shower hose: Length 150 cm, with double inter lock,
Material: brass

Code	Finish
120458	chrome

Cleaning Instructions

- Please clean the surface with mild soap and water to avoid damaging the finish.
- Rinse with water and dry with a soft cotton cloth.
- Do **NOT** use cleaners containing acids, ammonia or abrasives. Such products will damage the finish!

MAYA



- With hand shower MAYA:
3 jets: Rain / Soft / Massage
Soft plastic nozzles
Easy clean system
Material: ABS-plastic
- Wall bar: height-adjustable, length 90 cm, \varnothing 2,5 cm
Material: brass
- Shower hose: Length 150 cm, with double inter lock,
Material: brass

Code	Finish
120407	chrome

Cleaning Instructions

- Please clean the surface with mild soap and water to avoid damaging the finish.
- Rinse with water and dry with a soft cotton cloth.
- Do **NOT** use cleaners containing acids, ammonia or abrasives. Such products will damage the finish!

MORA



- With hand shower
4 jets: bubbly / rain / rain+soft / rain+massage
Soft plastic nozzles
Self cleaning antical system
Material: ABS-plastic
- Wall bar: height-adjustable, length 70 cm
Material: brass
- Shower hose: Length 150 cm, with double inter lock,
Material: brass

Code	Finish
120459	chrome

Cleaning Instructions

- Please clean the surface with mild soap and water to avoid damaging the finish.
- Rinse with water and dry with a soft cotton cloth.
- Do **NOT** use cleaners containing acids, ammonia or abrasives. Such products will damage the finish!

NOSTALGIE



- With hand shower Nostalgie:
1 jet: Rain
Material: brass
- Wall bar: height-adjustable, length 60 cm, ø 2 cm
Material: brass
- Shower hose: Length 150 cm, with double inter lock,
Material: brass

Code	Finish
120075	chrome

Cleaning Instructions

- Please clean the surface with mild soap and water to avoid damaging the finish.
- Rinse with water and dry with a soft cotton cloth.
- Do **NOT** use cleaners containing acids, ammonia or abrasives. Such products will damage the finish!

QUATTRO



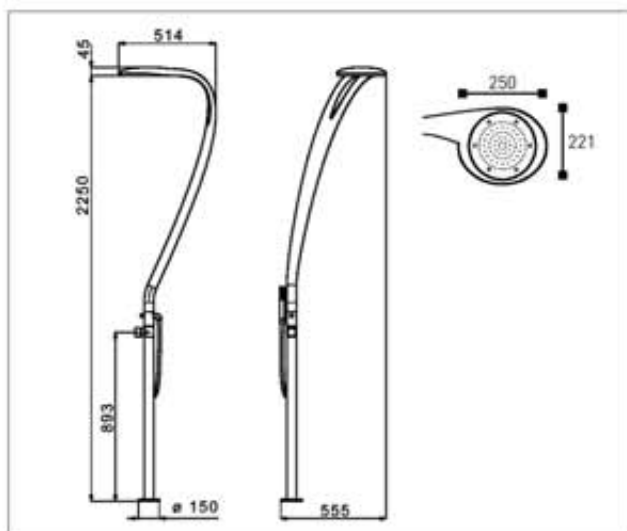
- With hand shower
4 jets: Bubbly / Rain+soft / Rain / Soft
Soft plastic nozzles
Self cleaning antical system
Material: ABS-plastic
- Wall bar: height-adjustable, length 70 cm
Material: brass
- Shower hose: Length 150 cm, with double inter lock,
Material: brass

Code	Finish
120460	chrome

Cleaning Instructions

- Please clean the surface with mild soap and water to avoid damaging the finish.
- Rinse with water and dry with a soft cotton cloth.
- Do **NOT** use cleaners containing acids, ammonia or abrasives. Such products will damage the finish!

COBRA



- Modern design
- Freestanding shower station
- With hand shower and hose
- Plastic nozzles with Easy Clean System
- Material: carbon / brass

Code	Finish
120479	black/chrome

Cleaning Instructions - Bathroom-Accessories:

- Please clean the surface with mild soap and water to avoid damaging the finish.
- Rinse with water and dry with a soft cotton cloth.
- Do NOT use cleaners containing acids, ammonia or abrasives. Such products will damage the finish!



CHARISMA



- 3 jets:
Rain / Rain+Massage / Massage
- Soft plastic nozzles
- Easy clean system
- Material: ABS-plastic

Code	Finish
120054	chrome